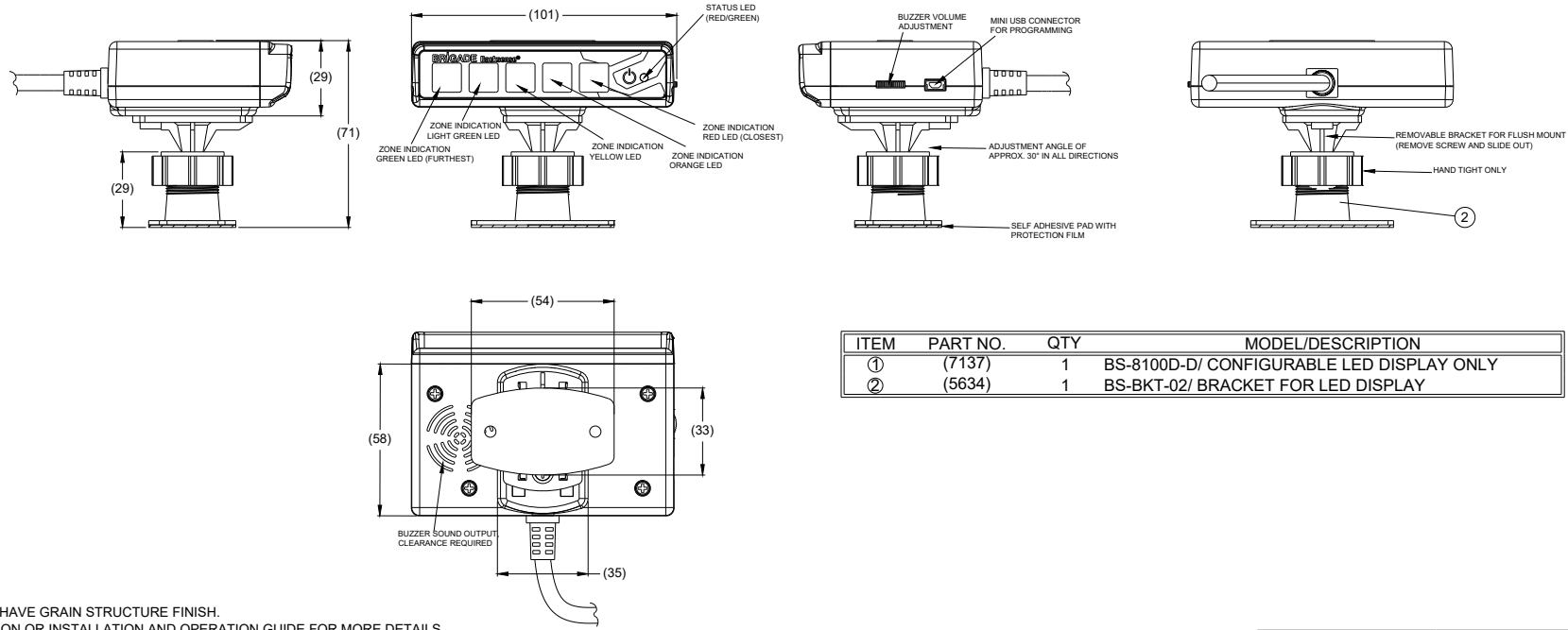


MALE MATING FACE

PIN	WIRE COLOUR	DESCRIPTION	WIRE SIZE
1	BROWN	GND	22 AWG
2	GREEN	CAN HIGH	22 AWG
3	YELLOW	+12V / 24V DC	22 AWG
4	BLUE	CAN LOW	22 AWG



ITEM	PART NO.	QTY	MODEL/DESCRIPTION
①	(7137)	1	BS-8100D-D/ CONFIGURABLE LED DISPLAY ONLY
②	(5634)	1	BS-BKT-02/ BRACKET FOR LED DISPLAY

- NOTES:
- MATERIAL: ABS777E.
  - COLOUR: BLACK.
  - FINISH: EXTERIOR SURFACES TO HAVE GRAIN STRUCTURE FINISH.
  - REFER TO PRODUCT SPECIFICATION OR INSTALLATION AND OPERATION GUIDE FOR MORE DETAILS.
  - THE OUTSIDE CABLE INSULATION MUST END MINIMUM 20MM WITHIN THE BOOT.
  - SINGLE WIRES TO CABLE CONNECTION DETAIL MUST END MINIMUM 20MM WITHIN THE HEAT SHRINK.
  - FOR FRONT FILM ARTWORK DETAIL PLEASE REFER TO THE LATEST VERSION OF DRAWING BE-004697-XX-22.
  - FIRMWARE VERSION "SW-P1411-MCU1-03-11.HEX" TO BE PRELOADED TO THE LED DISPLAY DURING MANUFACTURING.
  - REFER TO MASTER BOM FOR LABELING AND PACKAGING DETAILS.



**PROPRIETARY NOTICE**  
 THIS DESIGN AND TECHNICAL INFORMATION APPEARING ON THIS DRAWING IS THE PROPERTY OF BRIGADE ELECTRONICS, AND IS DISCLOSED IN CONFIDENCE. IT IS NOT TO BE COPIED, REPRODUCED, REVEALED TO OR EXPROPRIATED BY OTHERS, EITHER IN WHOLE OR IN PART WITHOUT THE EXPRESS WRITTEN CONSENT OF BRIGADE ELECTRONICS.

**BRIGADE**  
 www.brigade-electronics.com

Assembly Pl Approval M. HSU	Approved by R. PENTLEY	Checked by D. FOALE	Drawn by A. KEBEDE
Angle of Projection 	Units mm	Scale N/A	Released 20/12/2022
	Status RELEASED	Assembly Ref BS-8100D	
	Part No 7136	BE-004669-01-21	